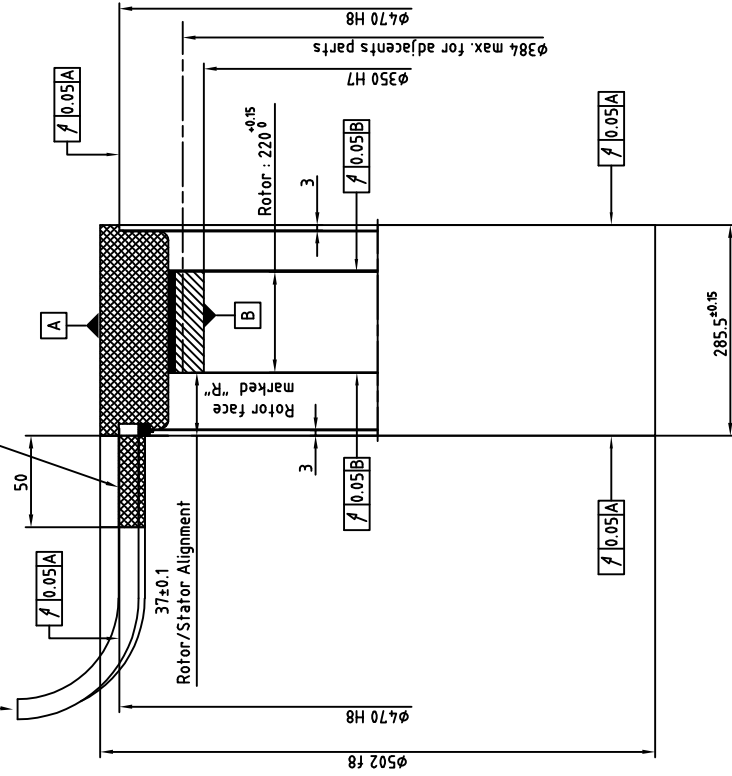


Cable output length 2m:

- Power:  
 One shielded class 6 cable coded 1,2,3 green/yellow  
 Thermal sensors:  
 One shielded class 6 cable (2x2x0.25mm<sup>2</sup>)  
 Brown-White : PTC  
 Green-Yellow : KTY84  
 Minimum bending radius (except for the first 50mm):  
 See table

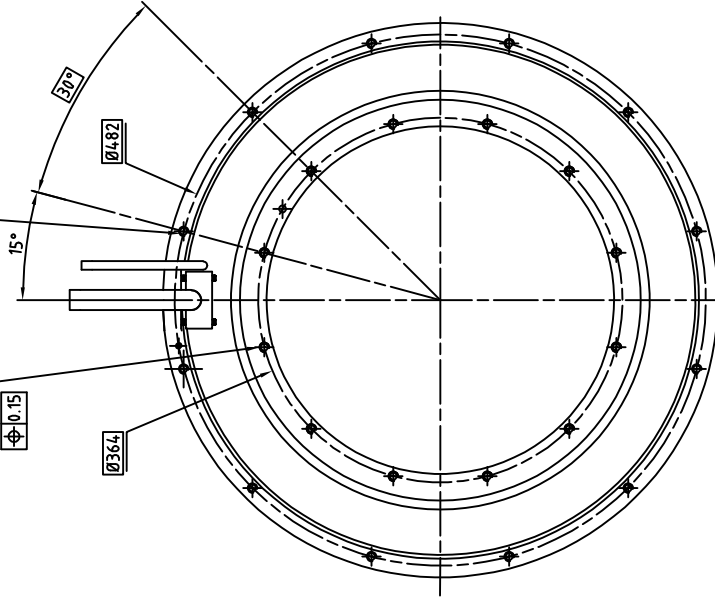
| Cable | Ø    | R min. |
|-------|------|--------|
| 4x1.5 | 8.6  | 103    |
| 4x2.5 | 10.8 | 130    |
| 4x4   | 12.2 | 147    |
| 4x6   | 14   | 168    |
| 4x10  | 17.6 | 211    |

ZONE FREE OF ANY PART  
 (cable passing)  
 NO STRESS, NO BENDING, IN THIS AREA.



2 series of 12 equidistant holes M8  
 One serie on each stator face  
 Angularly aligned series

2 series of 12 equidistant holes M8  
 One serie on each rotor face  
 Angularly aligned series



Nota:

- This drawing is valid only for motors with nominal current lower than 53 Amps.
  - If the nominal current is greater than 53 Amps, please contact us.
  - Rotor is not fitted in the stator
- For more information about mounting see document 500STK0-WA002

**ALXION**  
 AUTOMATIQUE & PRODUCTIQUE  
 Parc Technologique des Fossés Jean  
 92712 COLOMBEES Cedex  
 Tél: 014-1306304 - Fax: 014-1306136

500STK8M1XXXXXX