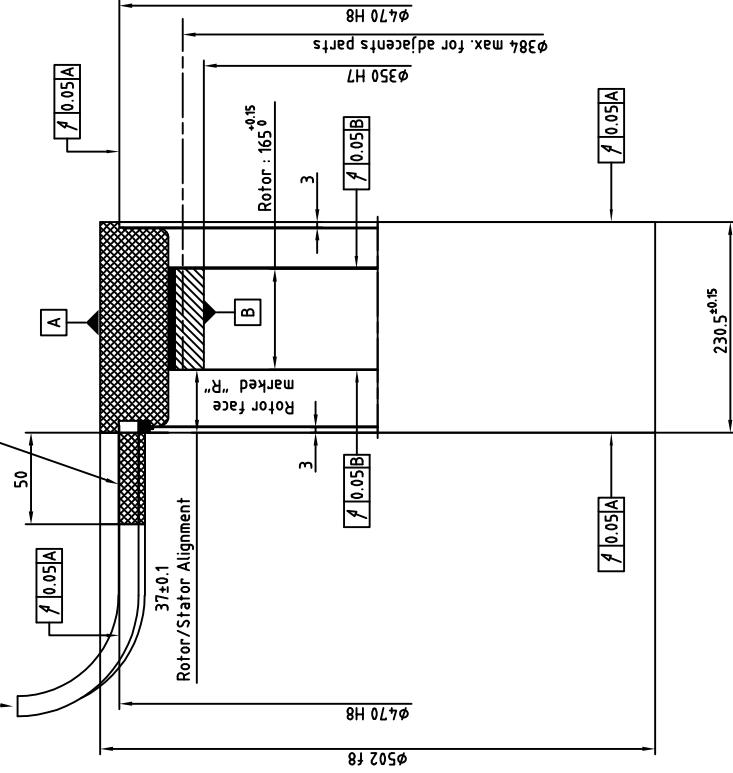


Cable output length 2m:

- Power:
 - One shielded class 6 cable coded 1,2,3 green/yellow
 - Thermal sensors:
 - One shielded class 6 cable (2x2x0.25mm²)
 - Brown-White : PTC
 - Green-Yellow : KTY84
- Minimum bending radius (except for the first 50mm):
See table

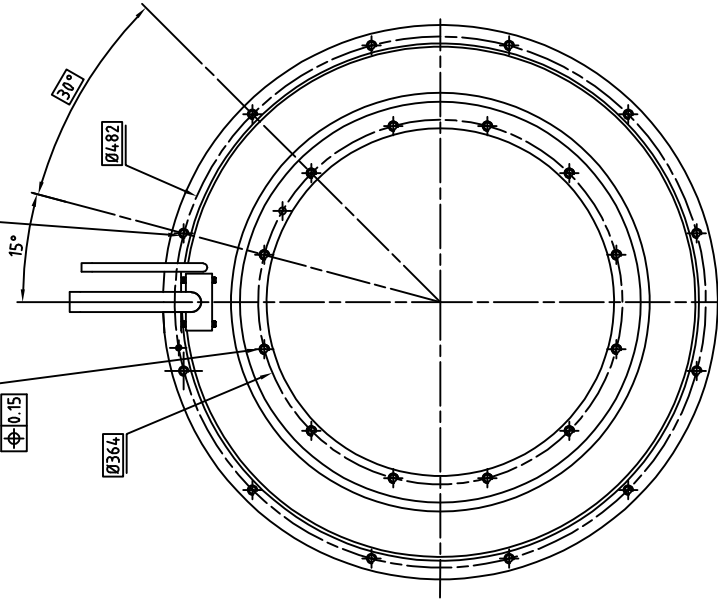
Cable	Ø	R min.
4x1.5	8.6	103
4x2.5	10.8	130
4x4	12.2	147
4x6	14	168
4x10	17.6	211

ZONE FREE OF ANY PART
(cable passing)
NO STRESS, NO BENDING, IN THIS AREA.



2 series of 12 equidistant holes M8
One serie on each rotor face
Angularly aligned series

2 series of 12 equidistant holes M8
One serie on each stator face
Angularly aligned series



Nota:

- This drawing is valid only for motors with nominal current lower than 53 Amps.
 - If the nominal current is greater than 53 Amps, please contact us.
 - Rotor is not fitted in the stator
- For more information about mounting see document 500STK0-WA002

ALXION
AUTOMATIQUE & PRODUCTIQUE
Parc Technologique des Fossés Jean
92712 COLOMBEES Cedex
Tél: 014-1306304 - Fax: 014-1306136

500STK6M1XXXXXX