

Cable	Ø	R min.
4x1.5	8.6	103
4x2.5	10.8	130
4x4	12.2	147
4x6	14	168
4x10	17.6	211

Cable output length 2m:

Power :

One shielded class 6  
cable coded  
green/yellow

Thermal sensors :  
One shielded class 6  
cable (2x2x0.25mm<sup>2</sup>)

Brown-White : PTC

Green-Yellow : KTY84

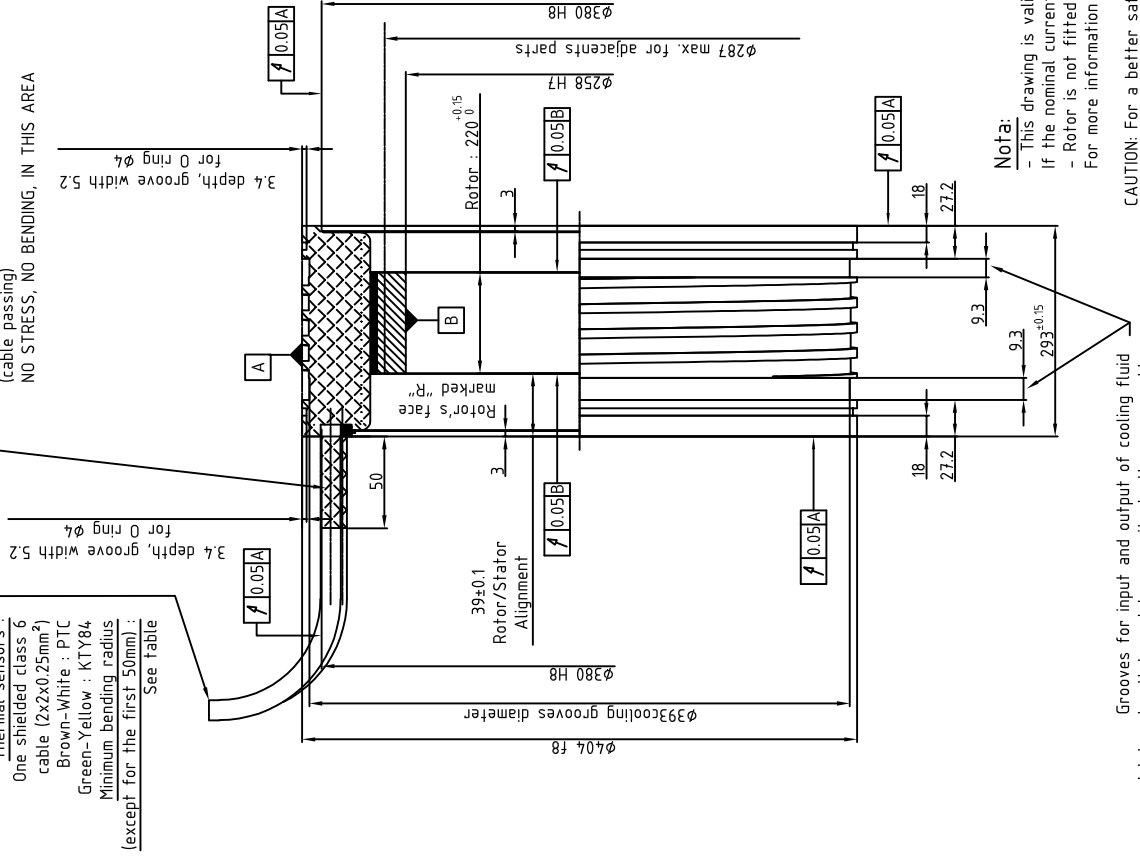
Minimum bending radius

(except for the first 50mm) :

See Table

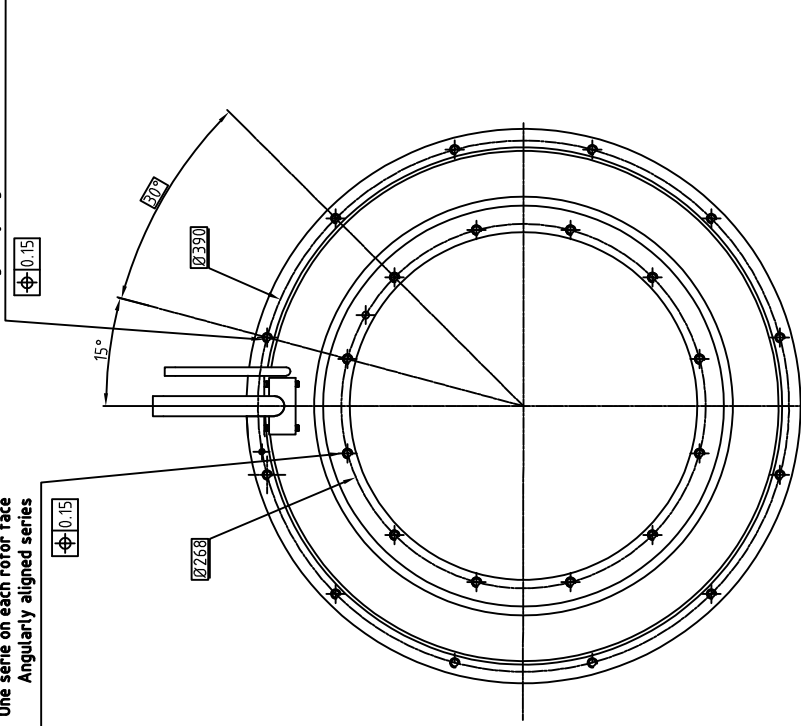
ZONE FREE OF ANY PART  
(cable passing)

NO STRESS, NO BENDING, IN THIS AREA



2 series of 12 equidistant holes M6  
One serie on each stator face  
Angularly aligned series

2 series of 12 equidistant holes M6  
One serie on each rotor face  
Angularly aligned series



**Nota:**

- This drawing is valid only for motors with nominal current lower than 53 Amps.
  - If the nominal current is greater than 53 Amps, please contact us.
  - Rotor is not fitted in the stator
- For more information about mounting see document 400STK0-WA002

Grooves for input and output of cooling fluid  
Inlet and outlet must be opposite to the power cable

**CAUTION:** For a better safety, it is recommended that the cooling fluid inlet would be made through the hose located on the side opposed to the cabling, while the cooling fluid outlet will be made by the one located on the cable side.

**ALXION**  
AUTOMATIQUE & PRODUCTIQUE  
Parc Technologique des Fossés Jean  
92712 COLOMBEES Cedex  
Tél: 0141306304 - Fax: 0141306136

400STK8M2XXXXXX