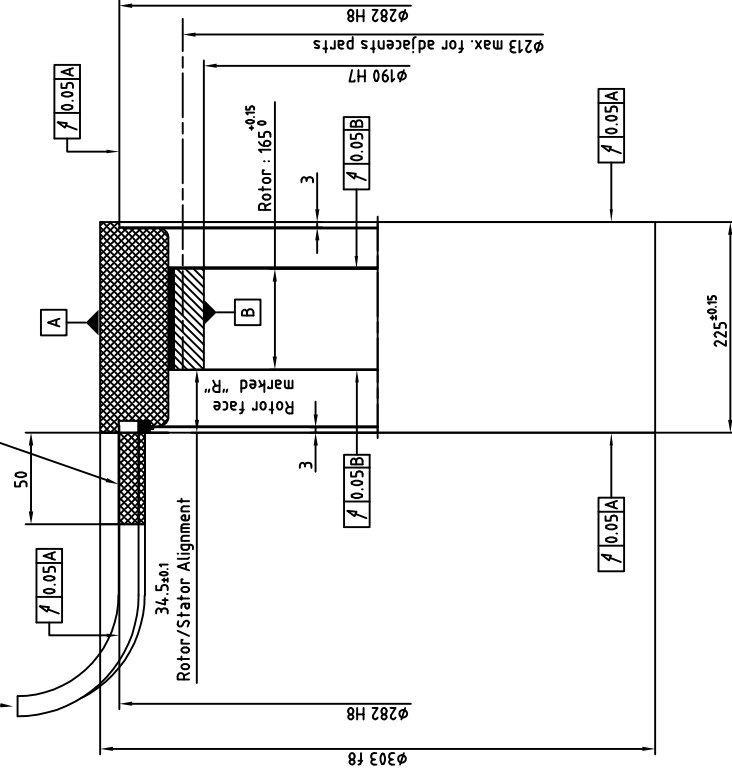


Cable output length 2m:

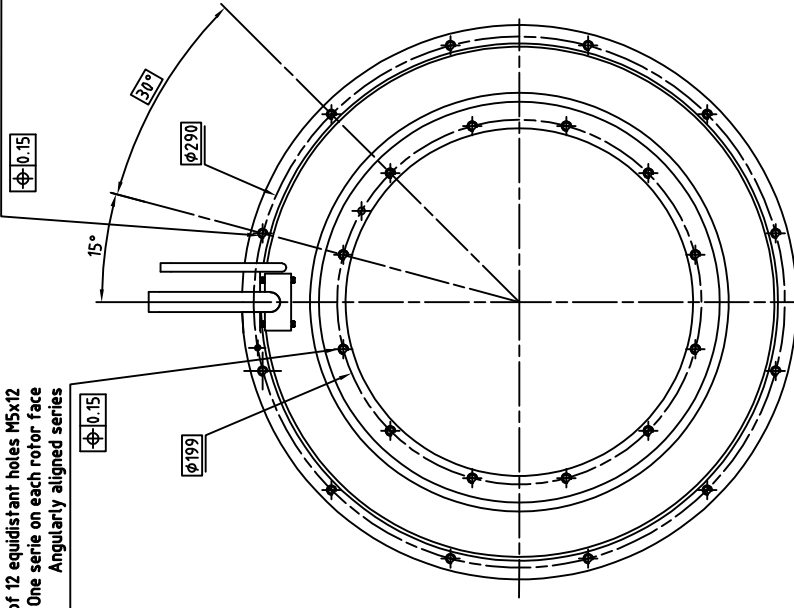
- Power:  
 One shielded class 6 cable coded 1,2,3 green/yellow square section and diameter depending of current see table  
 Thermal sensors:  
 One shielded class 6 cable (2x2x0.25mm<sup>2</sup>) overall  $\phi$  7  
 Brown-White : PTC  
 Green-Yellow : KTY84  
 Minimum bending radius (except for the first 50mm):  
 See table

| Cable | $\phi$ | R min. |
|-------|--------|--------|
| 4x1.5 | 8.6    | 103    |
| 4x2.5 | 10.8   | 130    |
| 4x4   | 12.2   | 147    |
| 4x6   | 14     | 168    |
| 4x10  | 17.6   | 211    |

ZONE FREE OF ANY PART  
 (cable passing)  
 NO STRESS, NO BENDING, IN THIS AREA.



2 series of 12 equidistant holes M5x12  
 One serie on each stator face  
 Angularly aligned series



2 series of 12 equidistant holes M5x12  
 One serie on each rotor face  
 Angularly aligned series

NOTA:  
 Rotor is not fitted in the stator  
 For more information about mounting see  
 document 300STK0-WA002

**ALXION**  
 AUTOMATIQUE & PRODUCTIQUE  
 Parc Technologique des Fossés Jean  
 92712 COLOMBEES Cedex  
 Tél: 014-1306304 - Fax: 014-1306136

300STK6M1XXXXXX