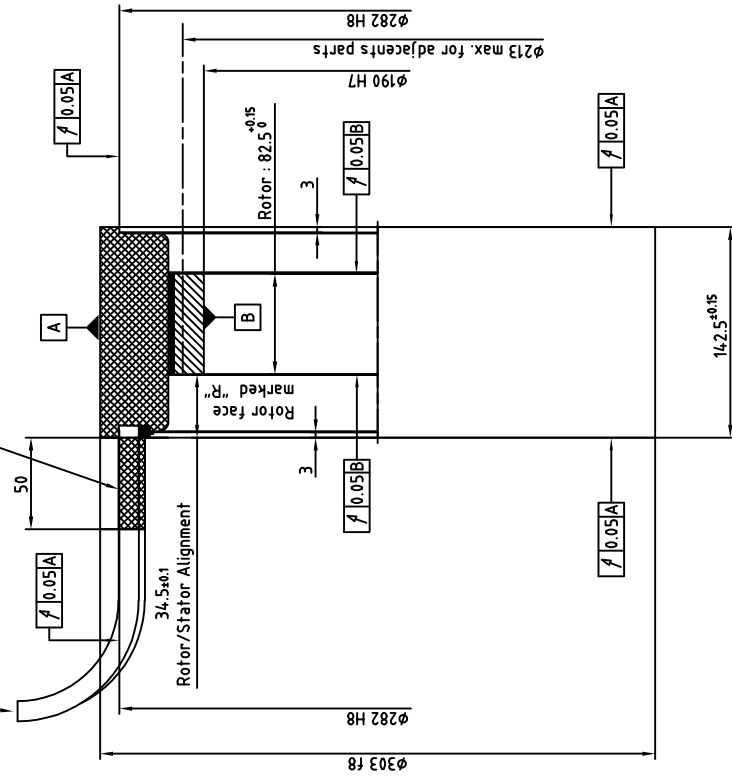


Cable output length 2m:

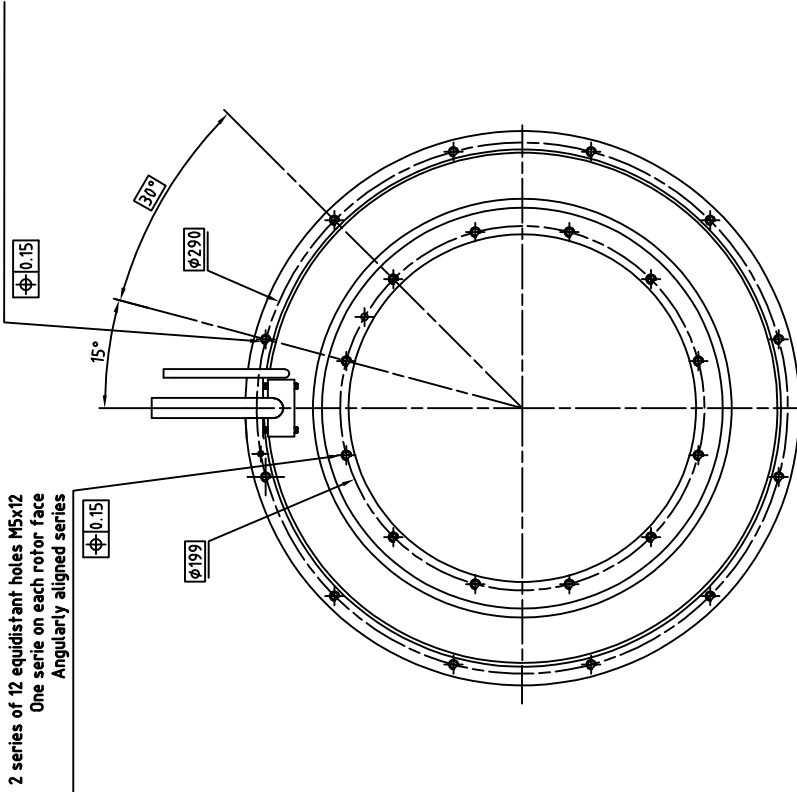
- Power:**
 One shielded class 6 cable coded 1,2,3 green/yellow square section and diameter depending of current see table
- Thermal sensors:**
 One shielded class 6 cable (2x2x0.25mm²) overall ϕ 7
 Brown-White : PTC
 Green-Yellow : KTY84
 Minimum bending radius (except for the first 50mm):
 See table

| Cable | ϕ | R min. |
|-------|--------|--------|
| 4x1.5 | 8.6 | 103 |
| 4x2.5 | 10.8 | 130 |
| 4x4 | 12.2 | 147 |
| 4x6 | 14 | 168 |
| 4x10 | 17.6 | 211 |

ZONE FREE OF ANY PART
 (cable passing)
 NO STRESS, NO BENDING, IN THIS AREA



2 series of 12 equidistant holes M5x12
 One serie on each stator face
 Angularly aligned series



2 series of 12 equidistant holes M5x12
 One serie on each rotor face
 Angularly aligned series

NOTA:
 Rotor is not fitted in the stator
 For more information about mounting see
 document 300STK0-WA002

ALXION

AUTOMATIQUE & PRODUCTIQUE
 Parc Technologique des Fossés Jean
 92712 COLOMBEES Cedex
 Tél: 014-1306304 - Fax: 014-1306136

300ATK3M1XXXXXX