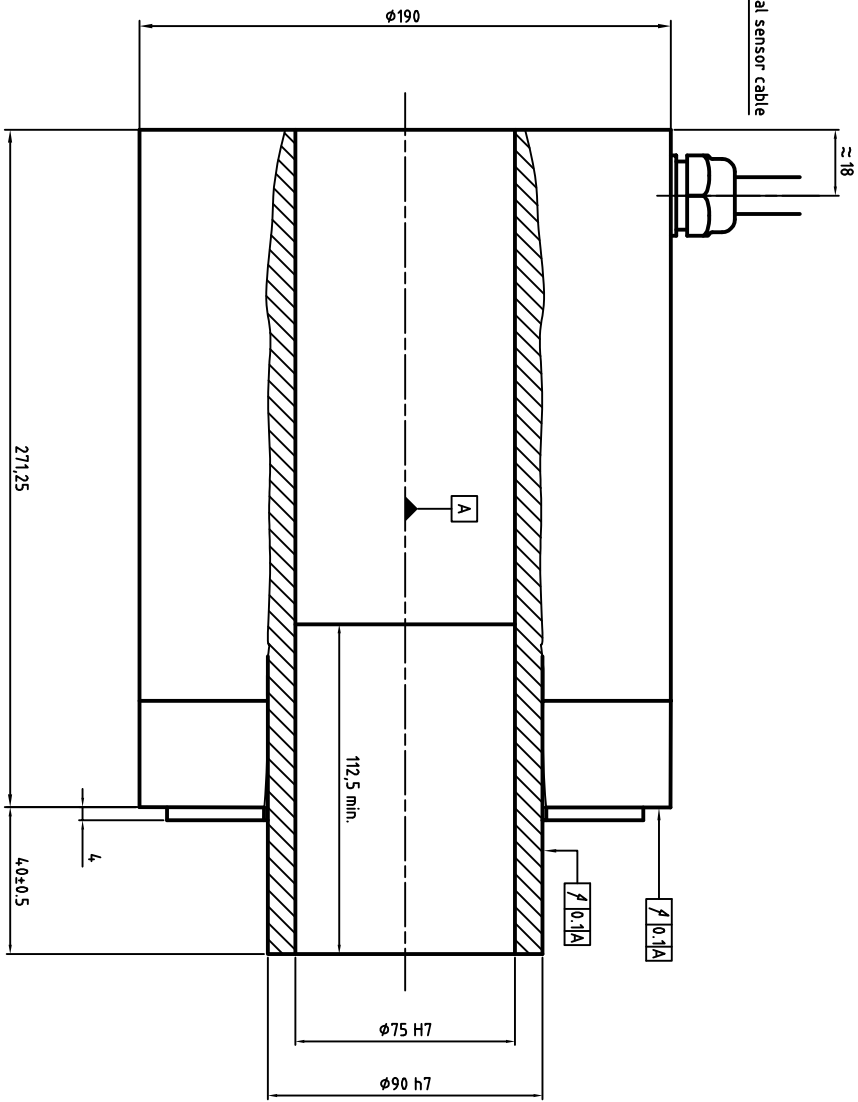
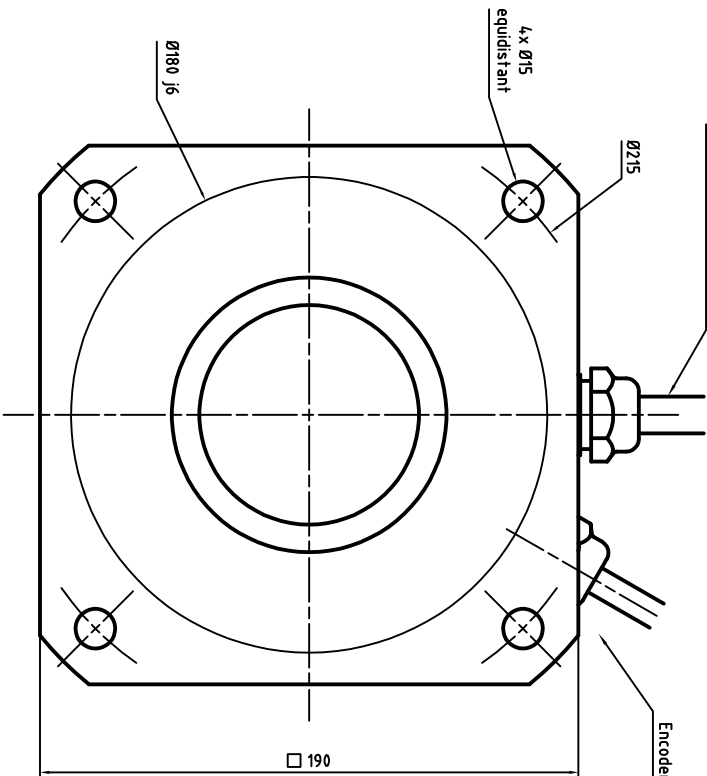


Power cable
 diameter and section
 depends on rated current
 U : Phase 1
 V : Phase 2
 W : Phase 3
 Green/Yellow : Ground



ENCODER SIGNAL COLORS

Cable information	RESOLVER (I)	ECl 4,0/10 (E)	EBl 4,0/10 (F)
White	Cosinus + (S1)	CLOCK+	CLOCK+
Brown	Cosinus - (S3)	CLOCK-	CLOCK-
Green	Sinus + (S2)	Up	Up
Yellow	Sinus - (S4)	0V	0V
Pink	PTC	PTC	PTC
Grey	PTC	PTC	PTC
Blue	0V (R3)	DATA+	DATA+
Red	V ref (R1)	DATA-	DATA-
Black	KTY84	KTY84	KTY84
Violet	KTY84	KTY84	KTY84

ALXION

AUTOMATIQUE & PRODUCTIQUE
 Parc Technologique des Fossés Jean
 92712 COLOMBEES Cedex
 Tél: 014.1306304 - Fax: 014.1306136

190ST3M27[1-E-F]BXXXX