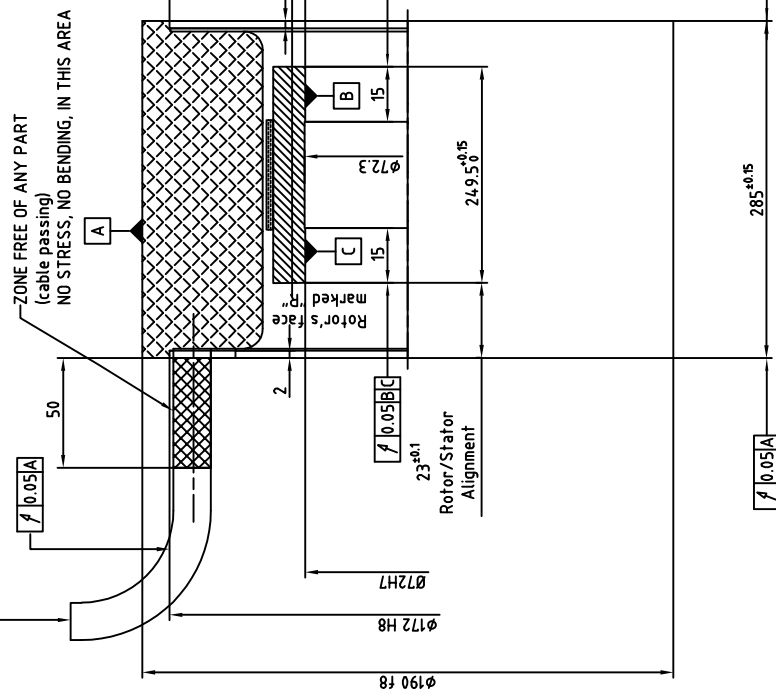


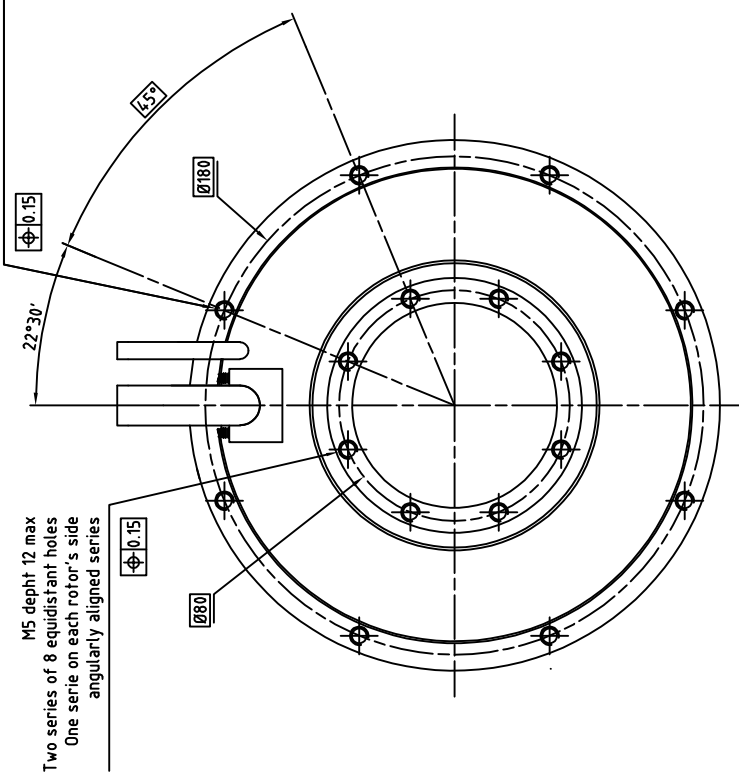
Cable	∅	R. min.
4x1.5	8.6	103
4x2.5	10.8	130
4x4	12.2	147
4x6	14	168
4x10	17.6	211

- Cable output length 2m:
- Power:**
- One shielded class 6 cable coded 1,2,3 green/yellow square section and diameter depending of current see table
- **Thermal sensors:**
- One shielded class 6 cable (2x2x0.25mm²) overall ∅7
- Brown-White : PTC
- Green-Yellow : KTY84
- **Minimum bending radius (except for the first 50mm):**
- See table



M5 depth 12 max
Two series of 8 equidistant holes
One serie on each stator's side
angularly aligned series

M5 depth 12 max
Two series of 8 equidistant holes
One serie on each rotor's side
angularly aligned series



NOTA:
Rotor is not fitted in the stator
For more information about mounting see
document 190STKO-WA002

ALXION

AUTOMATIQUE & PRODUCTIQUE
Parc Technologique des Fossés Jean
92712 COLOMBEES Cedex
Tél: 014-1306304 - Fax: 014-1306136

190A TK6M1XXXXXX