

Cable output length 2m:

Power:

One shielded class 6 cable coded 1,2,3 green/yellow

square section and diameter depending of current see table

Thermal sensors:

One shielded class 6 cable (2x2x0.25mm²) overall $\phi 7$

Brown-White : PTC

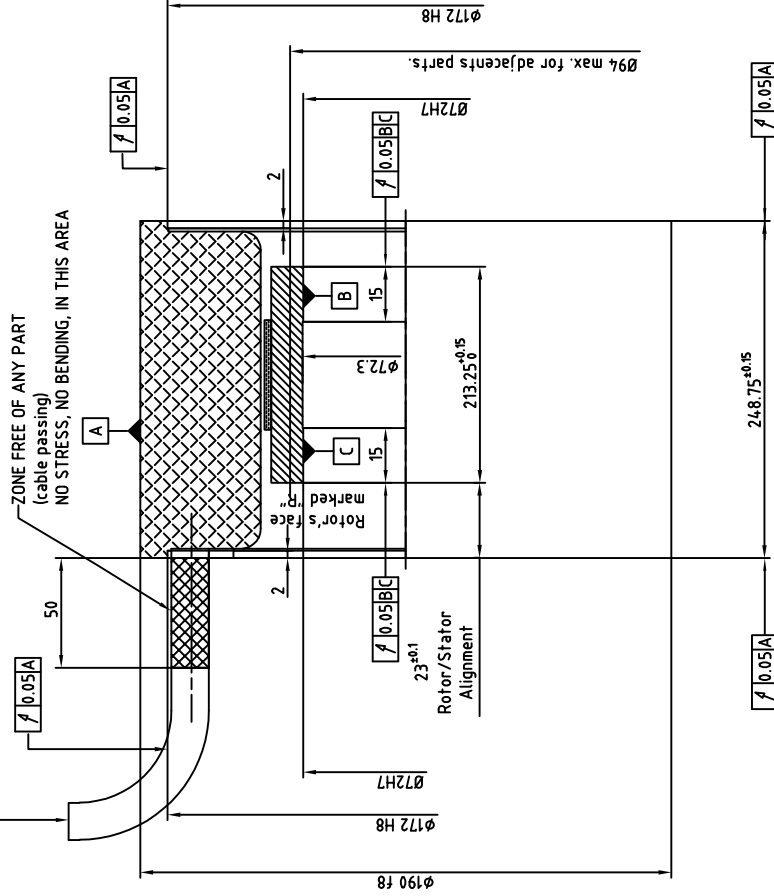
Green-Yellow : KTY84

Minimum bending radius (except for the first 50mm):

See table

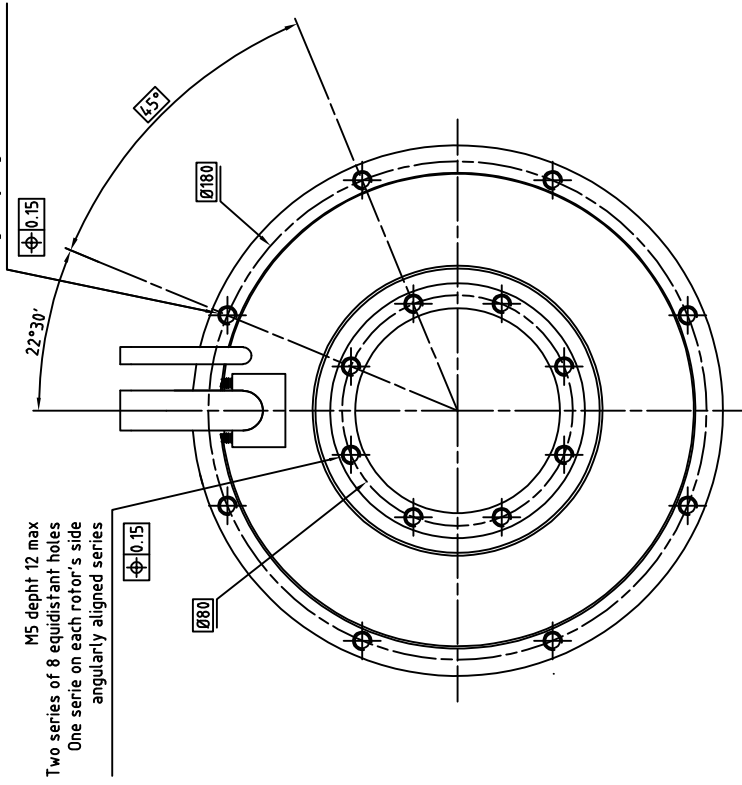
Cable	ϕ	R. min.
4x1.5	8.6	103
4x2.5	10.8	130
4x4	12.2	147
4x6	14	168
4x10	17.6	211

ZONE FREE OF ANY PART
(cable passing)
NO STRESS, NO BENDING, IN THIS AREA



M5 depth 12 max
Two series of 8 equidistant holes
One serie on each stator's side
angularly aligned series

M5 depth 12 max
Two series of 8 equidistant holes
One serie on each rotor's side
angularly aligned series



NOTA:
Rotor is not fitted in the stator
For more information about mounting see
document 190STKO-WA002

ALXION
AUTOMATIQUE & PRODUCTIQUE
Parc Technologique des Fossés Jean
92712 COLOMBEES Cedex
Tél: 014-1306304 - Fax: 014-1306136

190A TK5M1XXXXXX