

Cable output length 2m:

Power:

One shielded class 6 cable coded 1,2,3 green/yellow

square section and diameter depending of current see table

Thermal sensors:

One shielded class 6 cable (2x2x0.25mm<sup>2</sup>) overall  $\phi 7$

Brown-White : PTC

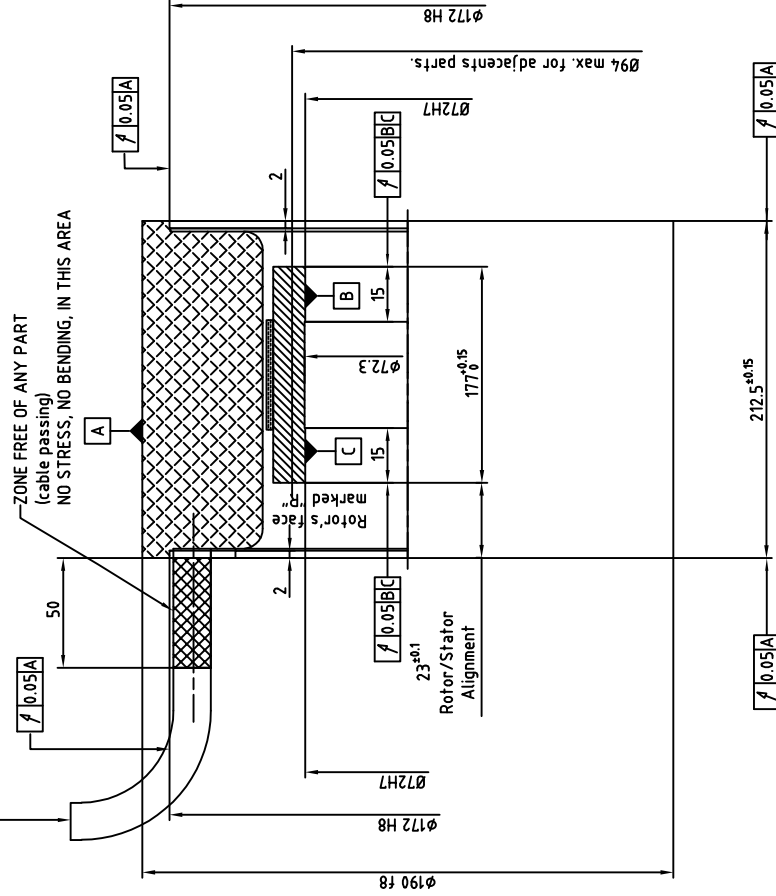
Green-Yellow : KTY84

Minimum bending radius (except for the first 50mm):

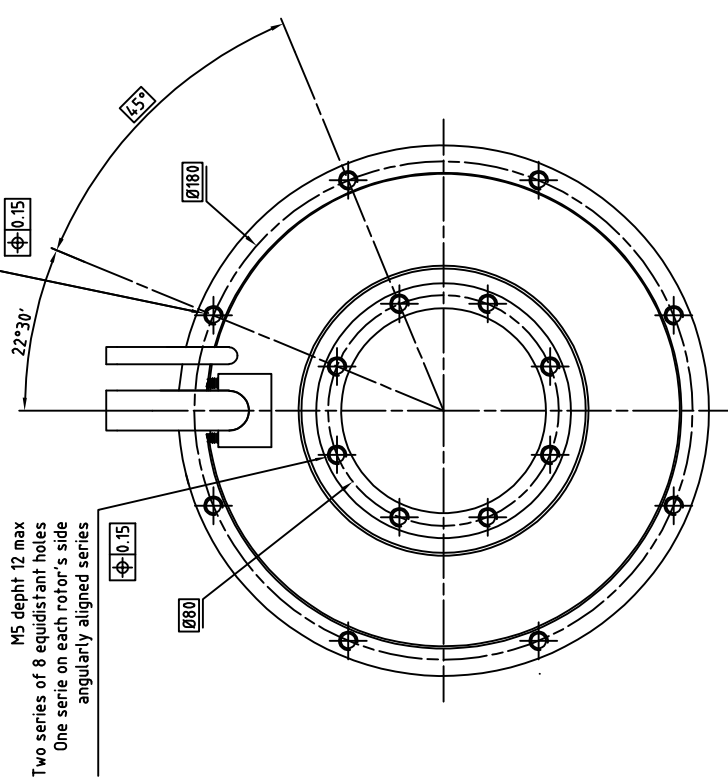
See table

Cable	$\phi$	R. min.
4x1.5	8.6	103
4x2.5	10.8	130
4x4	12.2	147
4x6	14	168
4x10	17.6	211

ZONE FREE OF ANY PART  
(cable passing)  
NO STRESS, NO BENDING, IN THIS AREA



M5 depth 12 max  
Two series of 8 equidistant holes  
One serie on each stator's side  
angularly aligned series



M5 depth 12 max  
Two series of 8 equidistant holes  
One serie on each rotor's side  
angularly aligned series

NOTA:  
Rotor is not fitted in the stator  
For more information about mounting see  
document 190STKO-WA002

**ALXION**  
AUTOMATIQUE & PRODUCTIQUE  
Parc Technologique des Fossés Jean  
92712 COLOMBEES Cedex  
Tél: 014-1306304 - Fax: 014-1306136

190A TK4M1XXXXXX