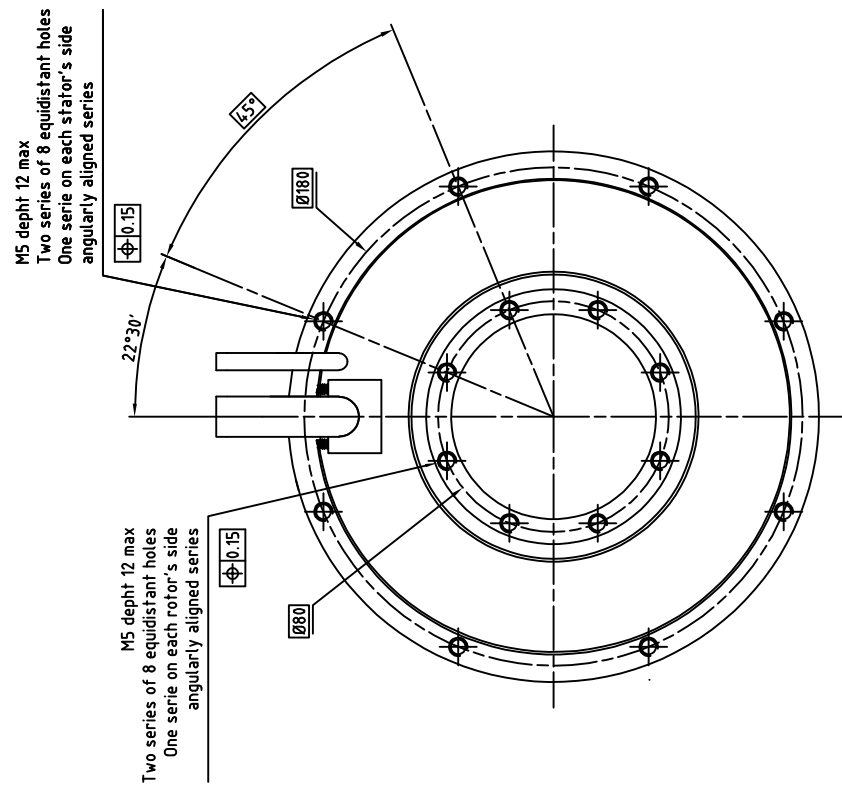
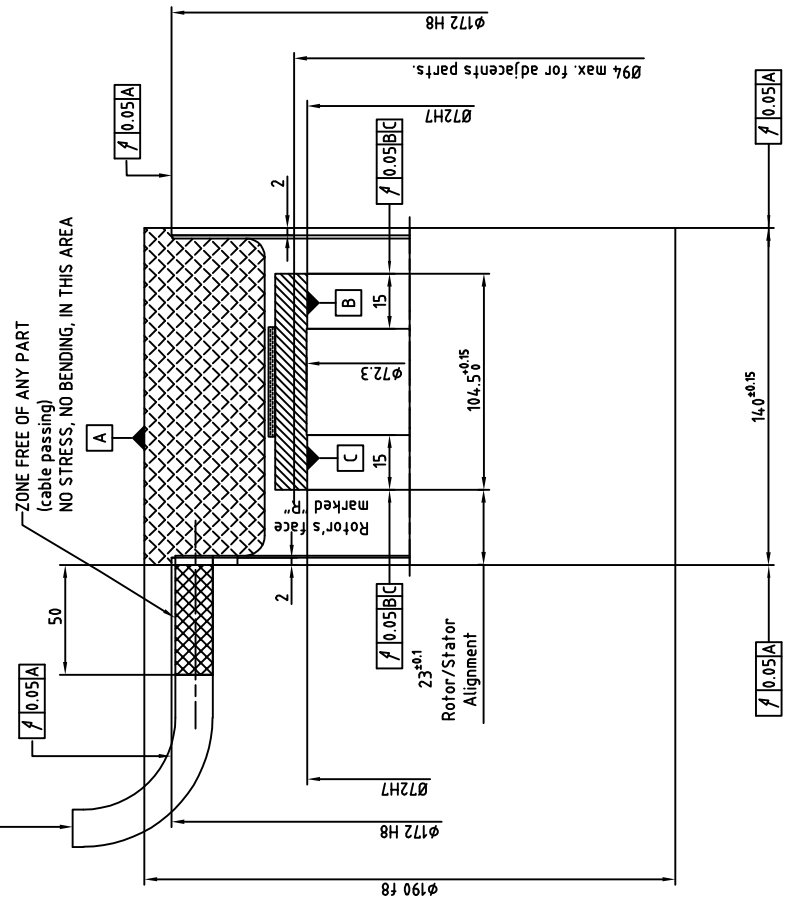


- Cable output length 2m:
- Power:
  - One shielded class 6 cable coded (4x1.5mm<sup>2</sup>)1,2,3 green/yellow overall  $\phi 8.6$
- Thermal sensors:
  - One shielded class 6 cable (2x2x0.25mm<sup>2</sup>) overall  $\phi 7$
  - Brown-White : PTC
  - Green-Yellow : KTY84
- Minimum bending radius (except for the first 50mm):
  - 103mm for power cable
  - 84mm for sensors cable



NOTA:  
 Rotor is not fitted in the stator  
 For more information about mounting see  
 document 190STKO-WA002

**ALXION**  
 AUTOMATIQUE & PRODUCTIQUE  
 Parc Technologique des Fossés Jean  
 92712 COLOMBEES Cedex  
 Tél: 014-1306304 - Fax: 014-1306136

190A TK2M1XXXXXX