

Cable output length 2m:

Power:

One shielded class 6 cable coded 1,2,3 green/yellow square section and diameter depending of current see table

Thermal sensors:

One shielded class 6 cable (2x2x0,25mm<sup>2</sup>) overall  $\phi$  7

Brown-White : PTC

Green-Yellow : KTY84

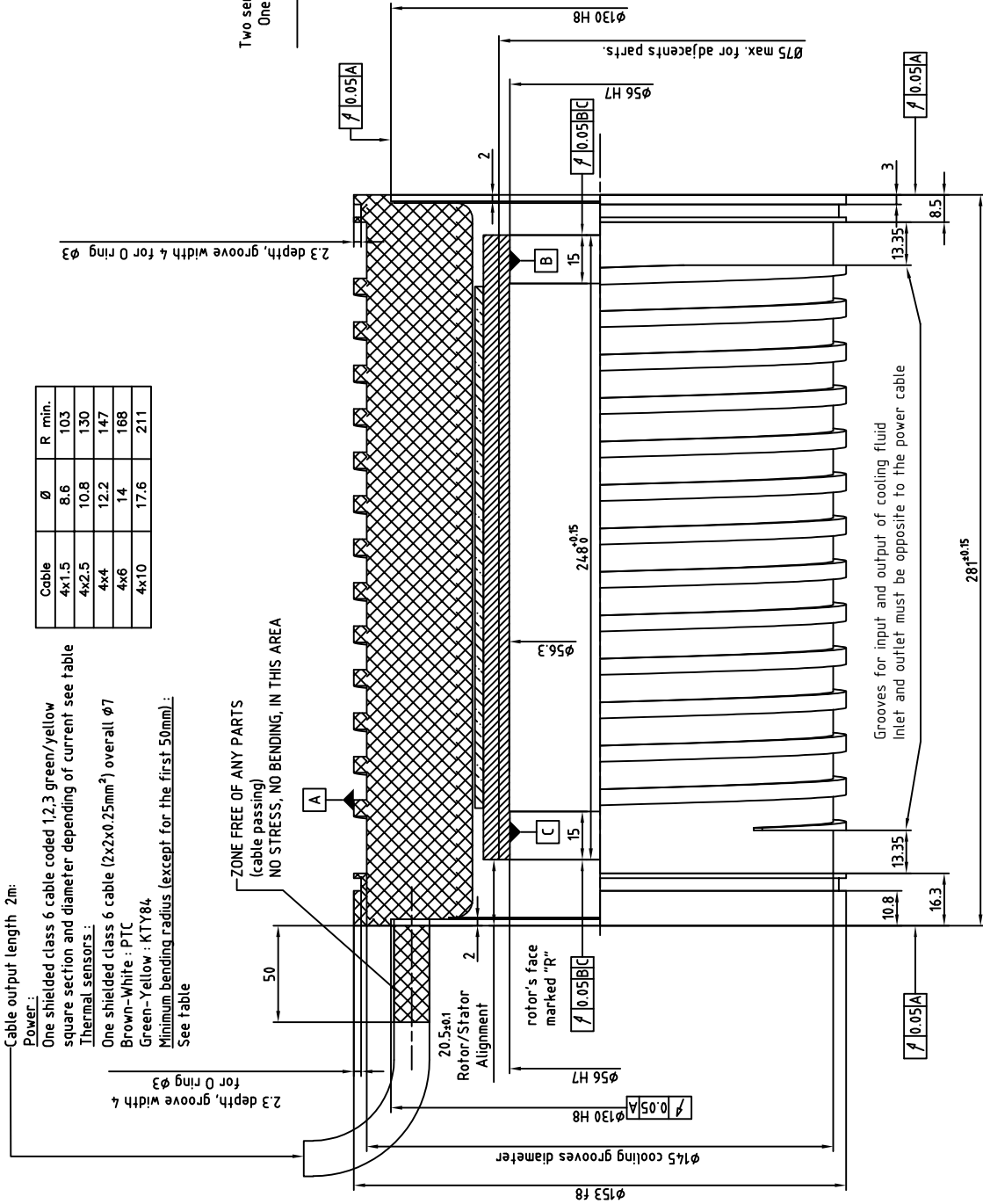
Minimum bending radius (except for the first 50mm):

See Table

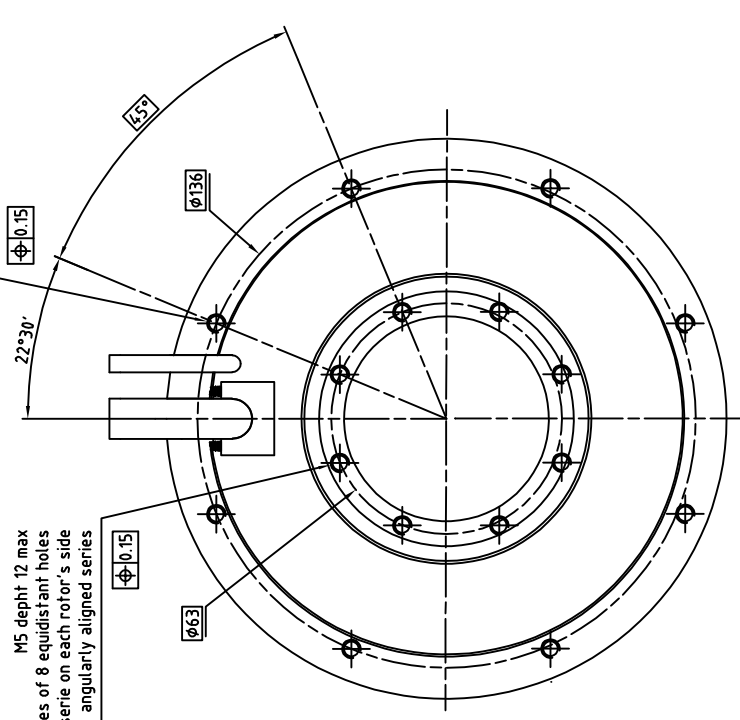
Cable	$\phi$	R min.
4x1.5	8.6	103
4x2.5	10.8	130
4x4	12.2	147
4x6	14	168
4x10	17.6	211

2.3 depth, groove width  $\phi$  3

2.3 depth, groove width  $\phi$  4 for O ring  $\phi$  3



M5 depth: 12 max  
Two series of 8 equidistant holes  
One serie on each stator's side  
angularly aligned series



M5 depth: 12 max  
Two series of 8 equidistant holes  
One serie on each rotor's side  
angularly aligned series

NOTA:  
Rotor is not fitted in the stator  
For more information about mounting see document 145STK0-WA002

CAUTION: For a better safety, it is recommended that the cooling fluid inlet would be made through the hose located on the side opposed to the cabling, while the cooling fluid outlet will be made by the one located on the cable side.

**ALXION**  
AUTOMATIQUE & PRODUCTIQUE  
Parc Technologique des Fossés Jean  
92712 COLOMBEES Cedex  
Té: 014-1306304 - Fax: 014-1306136

145STK8M2XXXXXX