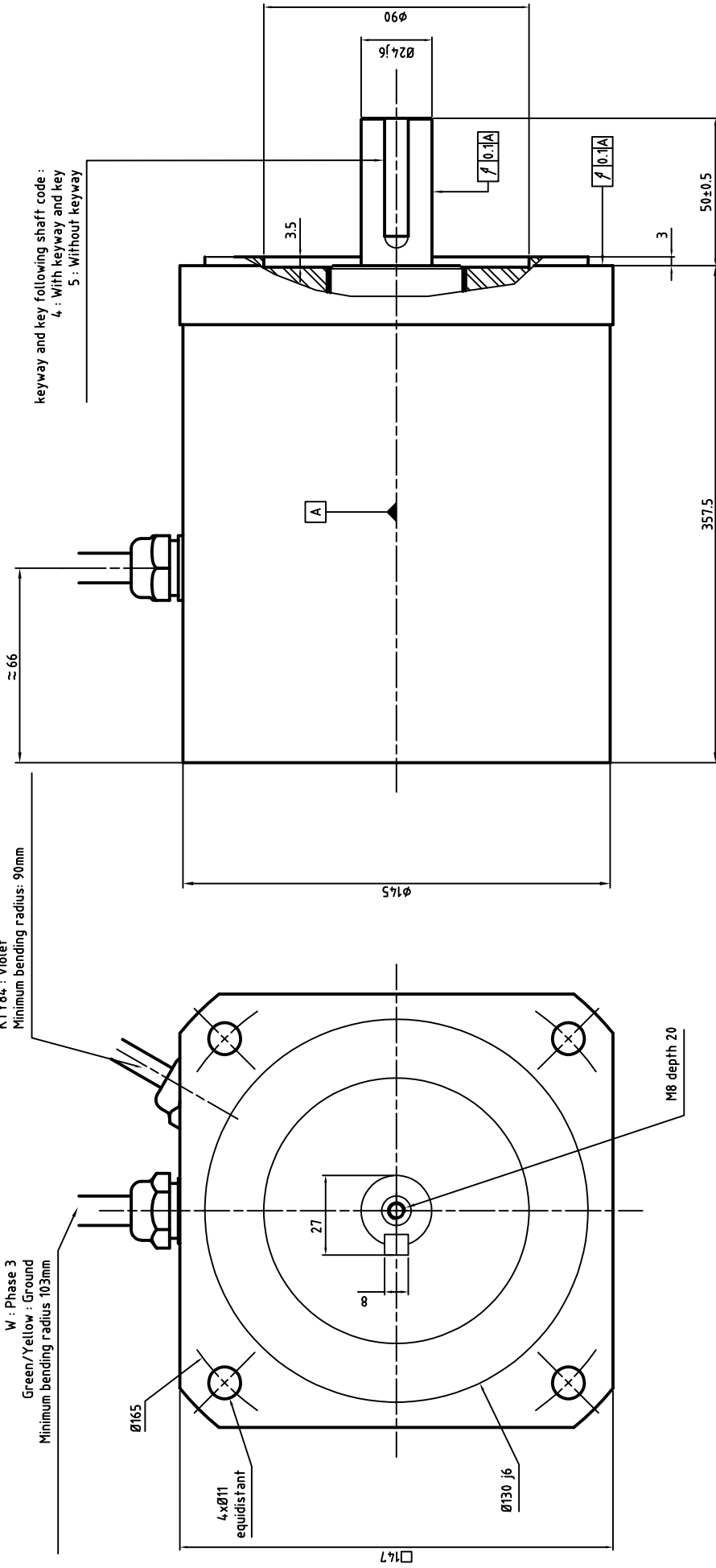


Resolver + thermal sensors cable
 One shielded class 6 cable (5x2x0.25) Ø7.5
 Sinus + (S2) : Green
 Sinus - (S4) : Yellow
 Cosinus + (S1) : White
 Cosinus - (S3) : Brown
 Input carrier + (R1) : Red
 Input carrier - (R2) : Blue
 PTC : Grey
 PTC : Pink
 KTY84 : Black
 KTY84 : Violet
 Minimum bending radius: 90mm

Power cable
 One shielded class 6 cable coded (4x1.5mm²)Ø8.6
 U : Phase 1
 V : Phase 2
 W : Phase 3
 Green/Yellow : Ground
 Minimum bending radius 103mm



keyway and key following shaft code :
 4 : With keyway and key
 5 : Without keyway

ALXION
 AUTOMATIQUE & PRODUCTIQUE
 Parc Technologique des Fossés Jean
 92712 COLONBES Cedex
 Tél: 0141306304 - Fax: 0141306136

145ST8M2[4-5]1BXXXX