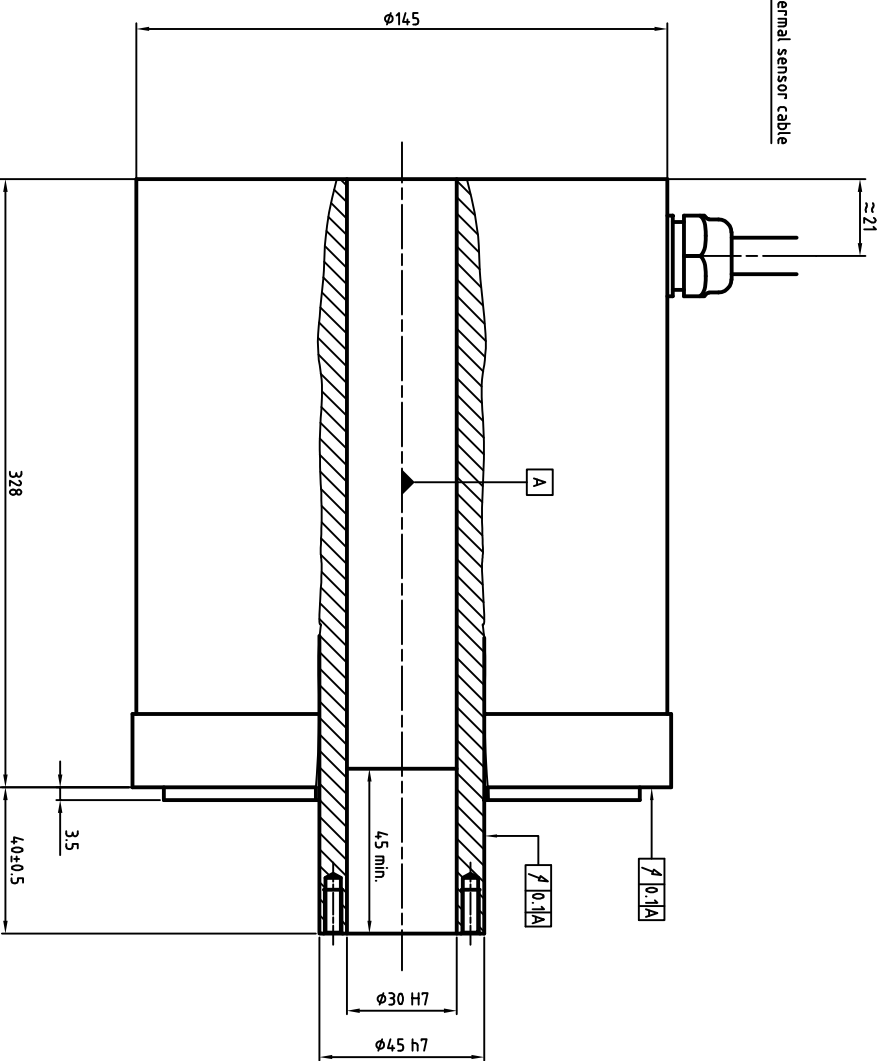
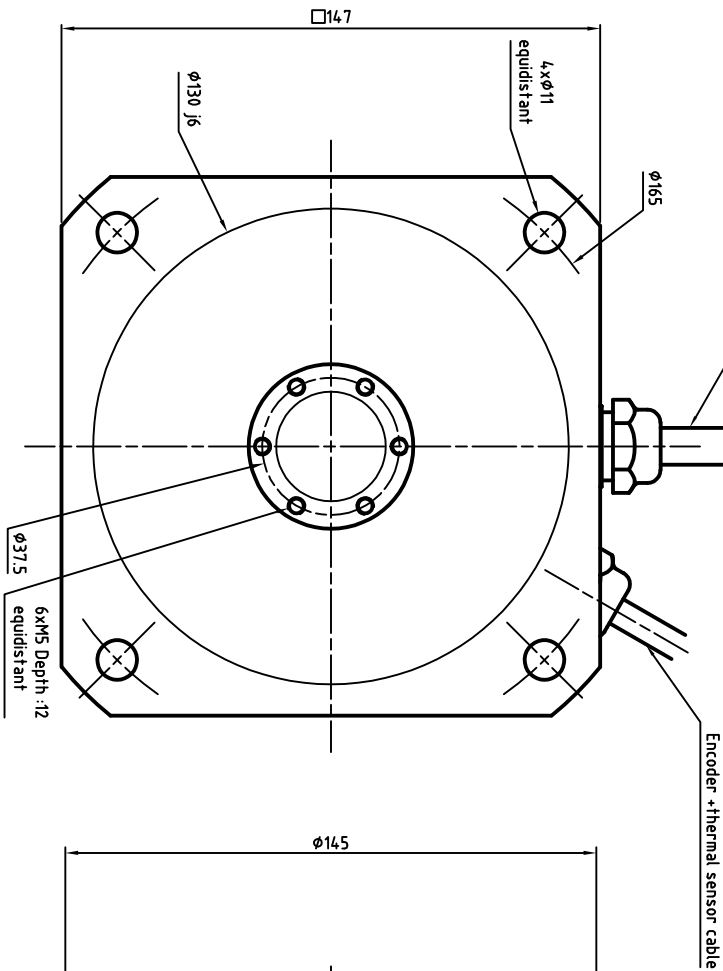


Power cable diameter and section depends on rated current
 U : Phase 1
 V : Phase 2
 W : Phase 3
 Green/Yellow : Ground



ENCODER SIGNAL COLORS

| Wires colors | ERN180 (2,A) | ECM13 (7) | ECM25 (B) |
|--------------|--------------|-----------|-----------|
| White | 0V | Up | N/A |
| Brown | Up | 0V | N/A |
| Green | A+ | A+ | Up |
| Yellow | A- | A- | 0V |
| Pink | B- | B- | CLOCK- |
| Grey | B+ | B+ | CLOCK+ |
| Blue | R+ | DATA+ | DATA+ |
| Red | R- | DATA- | DATA- |
| Black | CTP | CLOCK+ | CTP |
| Violet | CTP | CLOCK- | CTP |
| Grey/Pink | KTY84 | CTP | KTY 84 |
| Red/Blue | KTY84 | CTP | KTY 84 |
| White/Green | N/A | KTY84 | N/A |
| Brown/Green | N/A | KTY84 | N/A |

ALXION

AUTOMATIQUE & PRODUCTIQUE
 Parc Technologique des Fossés Jean
 92712 COLOMBES Cedex
 Tél: 014.1306304 - Fax: 014.1306136

1455T7M22[2-7-A-B]BXXXX