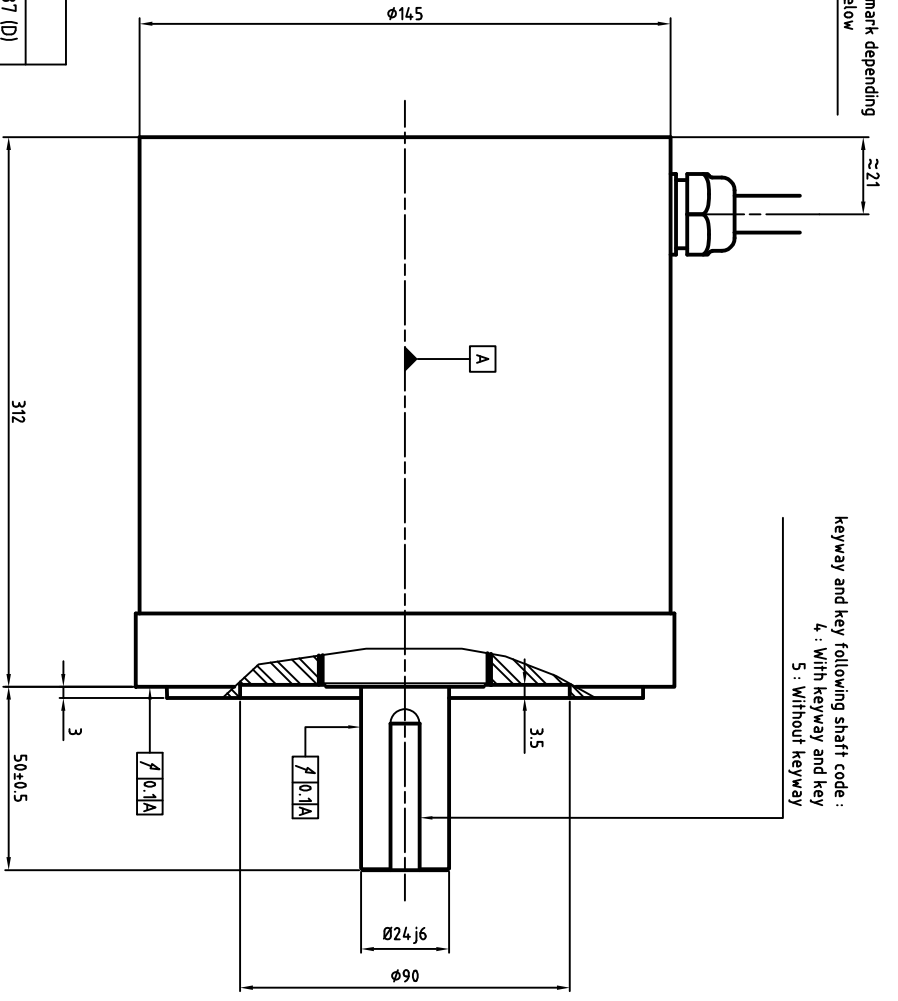
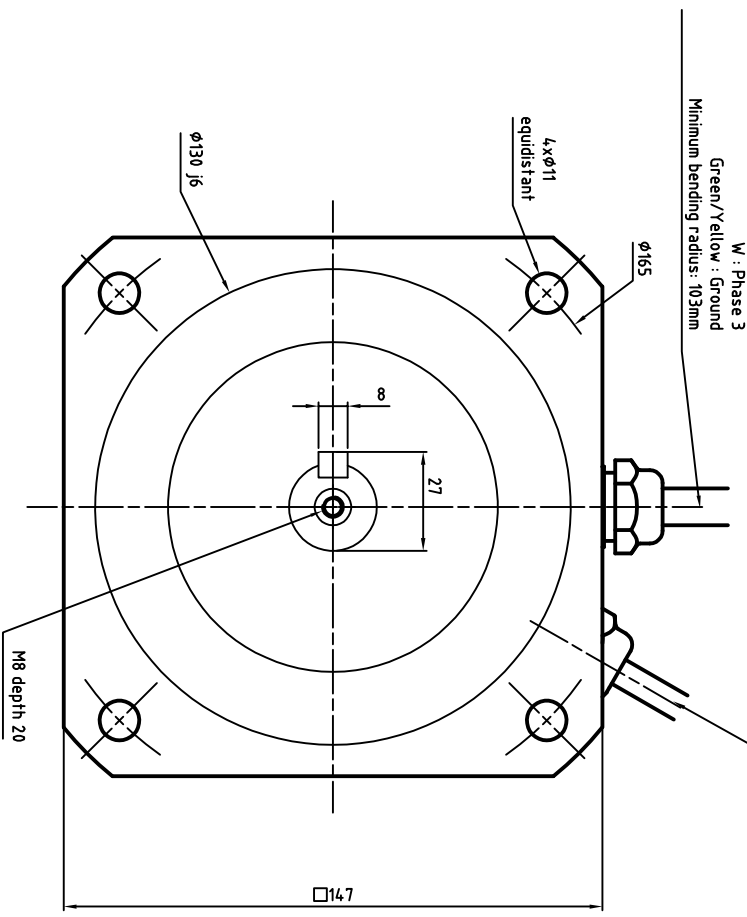


**Power cable**  
 One shielded class 6 cable (4x1.5mm<sup>2</sup>) Ø8.6  
 Marked:  
 U : Phase 1  
 V : Phase 2  
 W : Phase 3  
 Green/Yellow : Ground  
 Minimum bending radius: 103mm

**Encoder + thermal sensor cable**  
 One shielded class 6 cable  
 Square section, diameter and mark depending  
 encoder selection see table below



keyway and key following shaft code:  
 4 : With keyway and key  
 5 : Without keyway

**ENCODER SIGNAL COLORS**

Cable information	ERN1387 (4)	ERN1381 (5)	ECN1313 (8)	EQN1325 (9)	ECN1325 (C)	EQN1337 (D)
White	A+	0V	Up	Up	CLOCK+	CLOCK+
Brown	A-	Up	0V	0V	CLOCK-	CLOCK-
Green	R+	A+	A+	A+	DATA+	DATA+
Yellow	R-	A-	A-	A-	DATA-	DATA-
Pink	D+	B-	B-	B-	PTC	PTC
Grey	D-	B+	B+	B+	PTC	PTC
Blue	C+	R+	DATA+	DATA+	0V	0V
Red	C-	R-	DATA-	DATA-	Up	Up
Black	PTC	PTC	CLOCK+	CLOCK+	KTY84	KTY84
Violet	PTC	PTC	CLOCK-	CLOCK-	KTY84	KTY84
Grey/Pink	B+	KTY84	PTC	PTC	N/A	N/A
Red/Blue	B-	KTY84	PTC	PTC	N/A	N/A
White/Green	0V	N/A	KTY84	KTY84	N/A	N/A
Brown/Green	Up	N/A	KTY84	KTY84	N/A	N/A
White/Yellow	KTY84	N/A	N/A	N/A	N/A	N/A
Brown/Yellow	KTY84	N/A	N/A	N/A	N/A	N/A

**Wires colors**

**ALXION**  
 AUTOMATIQUE & PRODUCTION  
 Parc Technologique des Fossés Jean  
 92712 COLOMBEES Cedex  
 Tél: 0141306304 - Fax: 0141306136

145S T7M2[4-5][4-5-8-9-C-D]BXXXX