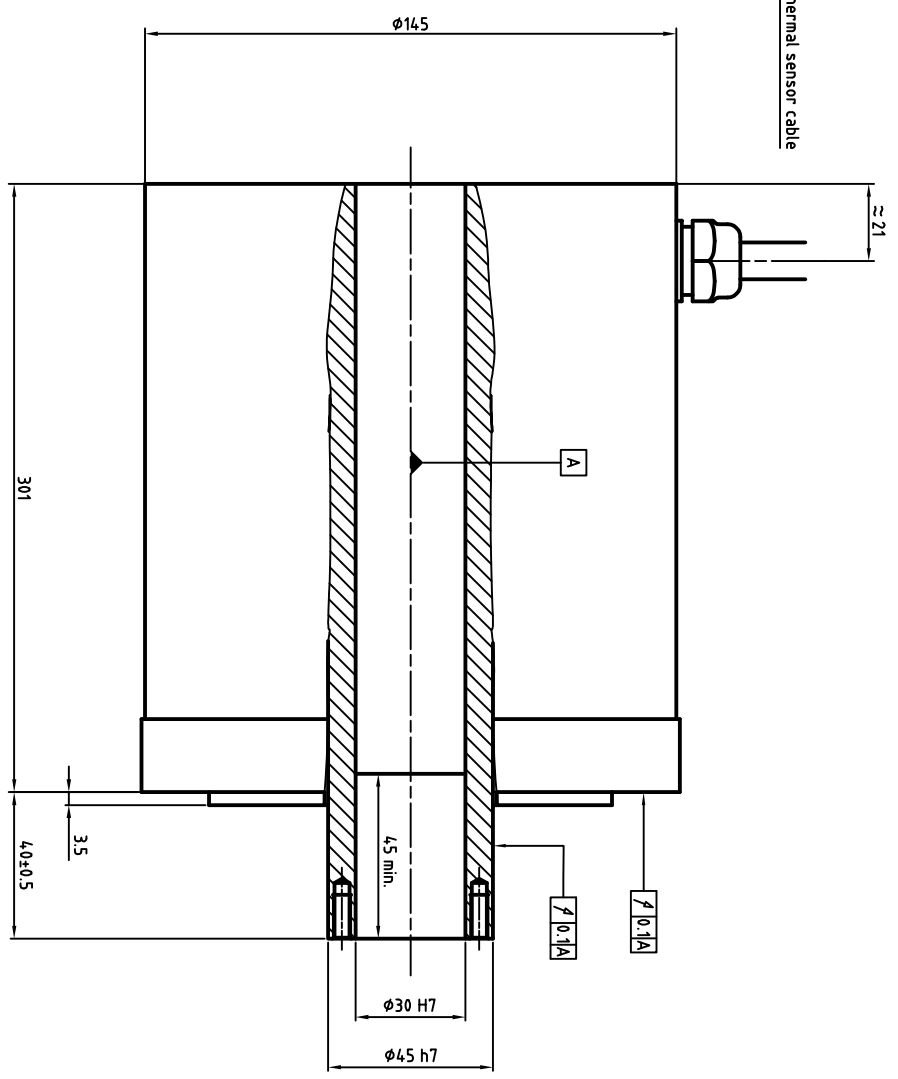
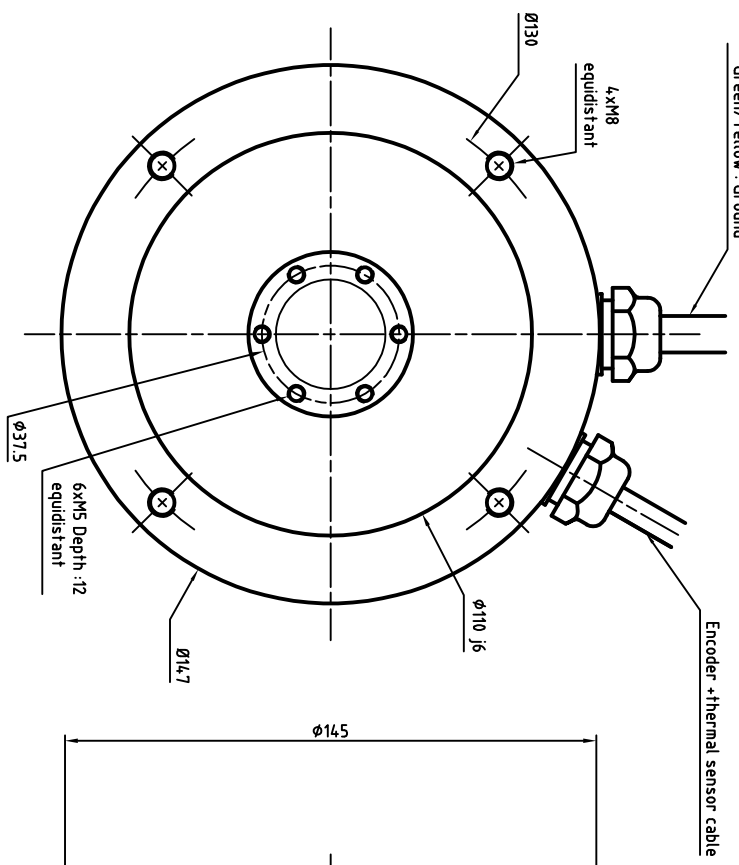


Power cable diameter and section depends on rated current

- U : Phase 1
- V : Phase 2
- W : Phase 3
- Green/Yellow : Ground



ENCODER SIGNAL COLORS

| Wires colors | ERN180 (2,A) | ECM13 (7) | ECM25 (B) |
|--------------|--------------|-----------|-----------|
| White        | 0V           | Up        | N/A       |
| Brown        | Up           | 0V        | N/A       |
| Green        | A+           | A+        | Up        |
| Yellow       | A-           | A-        | 0V        |
| Pink         | B-           | B-        | CLOCK-    |
| Grey         | B+           | B+        | CLOCK+    |
| Blue         | R+           | DATA+     | DATA+     |
| Red          | R-           | DATA-     | DATA-     |
| Black        | CTP          | CLOCK+    | CTP       |
| Violet       | CTP          | CLOCK-    | CTP       |
| Grey/Pink    | KTY84        | CTP       | KTY 84    |
| Red/Blue     | KTY84        | CTP       | KTY 84    |
| White/Green  | N/A          | KTY84     | N/A       |
| Brown/Green  | N/A          | KTY84     | N/A       |

**ALXION**

AUTOMATIQUE & PRODUCTIQUE  
 Parc Technologique des Fossés Jean  
 92712 COLOMBES Cedex  
 Tél: 014.1306304 - Fax: 014.1306136

145ST6M12[2-7-A-B]BXXXXX